

WARNING: RISK OF FIRE AND ELECTRICAL SHOCK. FIXTURE MUST BE INSTALLED BY A QUALIFIED ELECTRICIAN ONLY IN ACCORDANCE WITH NATIONAL, LOCAL BUILDING AND ELECTRICAL CODES. DISCONNECT POWER AT ELECTRICAL PANEL BEFORE SERVICING.

14052 INSTALLATION INSTRUCTIONS FOR: Architectural Edge-Lit LED Flat Panel Light

General Safety Instructions:

To reduce the risk of fire, personal injury, or property damage from electrical shock, falling parts, cuts/abrasions, and other hazards:

- Before Installation or Maintenance: Always follow these precautions when installing, servicing, or performing routine maintenance on this equipment.
- Qualified Personnel Only: Installation, service, and maintenance should be performed by a licensed, qualified electrician.
- Local Electrical Codes: Ensure compliance with your local electrical codes. If unsure, consult a licensed electrician.
- Prevent Wiring Damage: Avoid exposing wiring to sharp edges, sheet metal, or other abrasive surfaces to prevent damage or abrasion.
- No Alterations: Do not create or modify open holes in the enclosure or wiring components during installation.

Warning

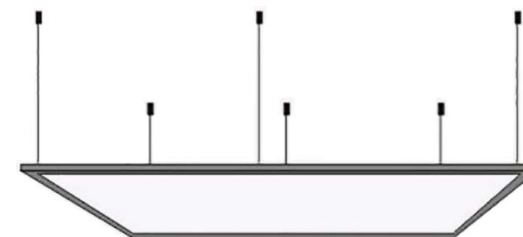
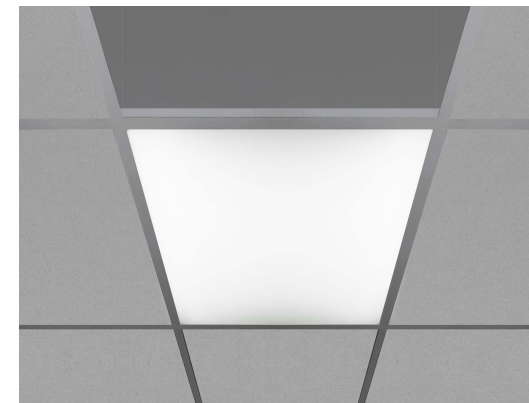
- Power Off Before Installation: Turn off electrical power at the fuse or circuit breaker box before wiring the fixture to the power supply.
- Maintenance Safety: Ensure power is turned off before performing any maintenance.
- Verify Voltage: Compare supply voltage with the luminaire label to ensure compatibility.
- Proper Wiring: Use UL-approved wire connectors for all wiring connections.

Caution

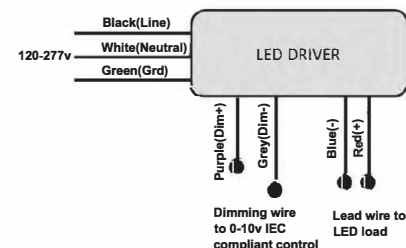
- Light Source Safety: Avoid direct eye exposure to the light source when it is on.
- Small Parts Hazard: Account for all small parts and safely dispose of packing materials to prevent hazards to children.
- Risk of Burn: Disconnect power and allow the fixture to cool before changing bulbs or handling the fixture.

Important Notices

1. Grounding Screw: A green ground screw is provided in the proper location. Do not relocate it.
2. Supply Conductors: Use minimum 90° rated supply conductors.
3. Specifications: Specifications and dimensions are subject to change without notice.
4. Location Suitability: Suitable for dry or damp locations; Type IC-rated.



General Wiring Diagram



WARNING:

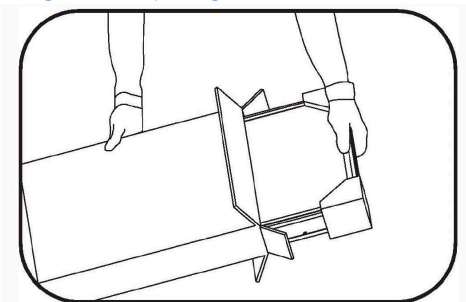


RISK OF FIRE AND ELECTRICAL SHOCK. FIXTURE MUST BE INSTALLED BY A QUALIFIED ELECTRICIAN ONLY IN ACCORDANCE WITH NATIONAL, LOCAL BUILDING AND ELECTRICAL CODES. DISCONNECT POWER AT ELECTRICAL PANEL BEFORE SERVICING.

14052 INSTALLATION INSTRUCTIONS FOR: Architectural Edge-Lit LED Flat Panel Light

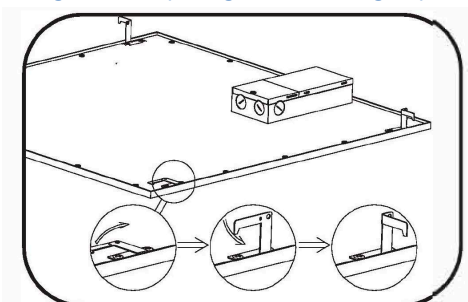
Always turn off the power supply from main circuit breaker first!

Figure 1: Preparing for Installation



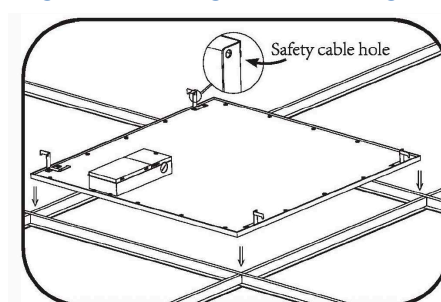
- Carefully unpack the luminaire and inspect it for any defects before proceeding with installation.
- Wear work gloves to prevent dirt and oil from transferring to the luminaire.
- If cleaning is necessary, use gloves and a dry cotton cloth. Avoid hazardous chemicals for cleaning purposes.

Figure 2: Preparing the Mounting Clips



- Lift the four mounting clips on the sides of the luminaire.
 - This can be done by hand (ensure you're wearing work gloves) or with pliers for additional leverage.

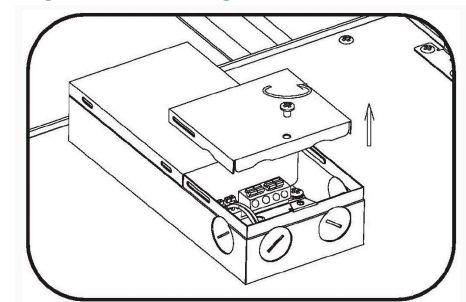
Figure 3: Installing into the Ceiling Grid



- Insert the luminaire into the T-bar ceiling grid.
- Secure a safety cable to the connection hole as needed to comply with local seismic requirements.

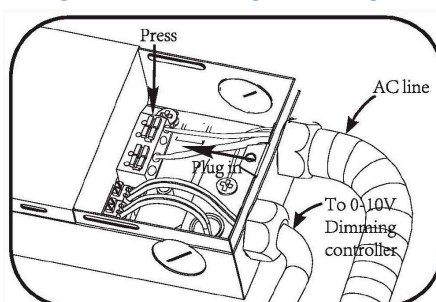
Note: The safety cable and its attachment method to the building structure must be provided by the contractor and meet local building codes.

Figure 4: Accessing the Electrical Enclosure



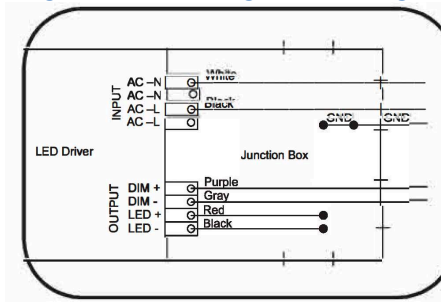
- Remove the electrical enclosure cover.
- Carefully remove the knockout for the AC line input wires and the 0-10V control line.
- If necessary, install UL-listed electrical fittings in the knockout holes to protect the wires.

Figure 5: Connecting the Wiring



- Connect the AC line (L, N, and GND) to the LED driver using 18-14 AWG wire.
- If connecting a 0-10V dimming controller, route the wires through a separate knockout hole equipped with an appropriate electrical fitting.

Figure 6: Final Wiring and Securing



- Follow the wire connection instructions provided:
For 0-10V dimming controllers, run 1/2" wires from the controller through a knockout separate from the AC input wire.
- Replace the electrical enclosure cover and ensure all screws are securely tightened.

WARNING: RISK OF FIRE AND ELECTRICAL SHOCK. FIXTURE MUST BE INSTALLED BY A QUALIFIED ELECTRICIAN ONLY IN ACCORDANCE WITH NATIONAL, LOCAL BUILDING AND ELECTRICAL CODES. DISCONNECT POWER AT ELECTRICAL PANEL BEFORE SERVICING.

14052 INSTALLATION INSTRUCTIONS FOR: Architectural Edge-Lit LED Flat Panel Light

Cable Suspended Mounting Installation:

Step 1:

Replace the existing earthquake tabs with the provided brackets designed to secure the adjustable cables.

Step 2:

Feed the end cap of cable A through the provided flange, ensuring the end cap is properly positioned within the flange. Secure the flange to the ceiling using the self-tapping screws.

Step 3:

Insert the end of cable A into the hasp attached to cable B. Adjust cable A to the desired height and adjust cable B to achieve the preferred angle.

Step 4:

Hook the luminaire onto the hooks attached to the other end of cable B. Make any final adjustments to ensure proper alignment and positioning.

Step 5:

Connect the LED driver to the AC mains power, completing the installation

Figure 1

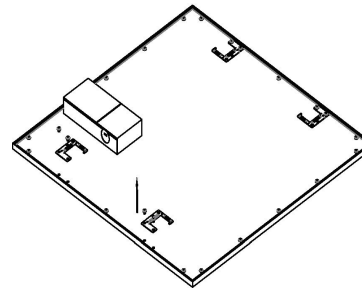


Figure 2

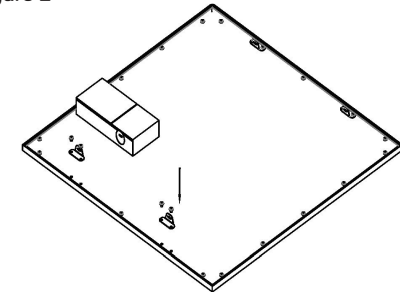
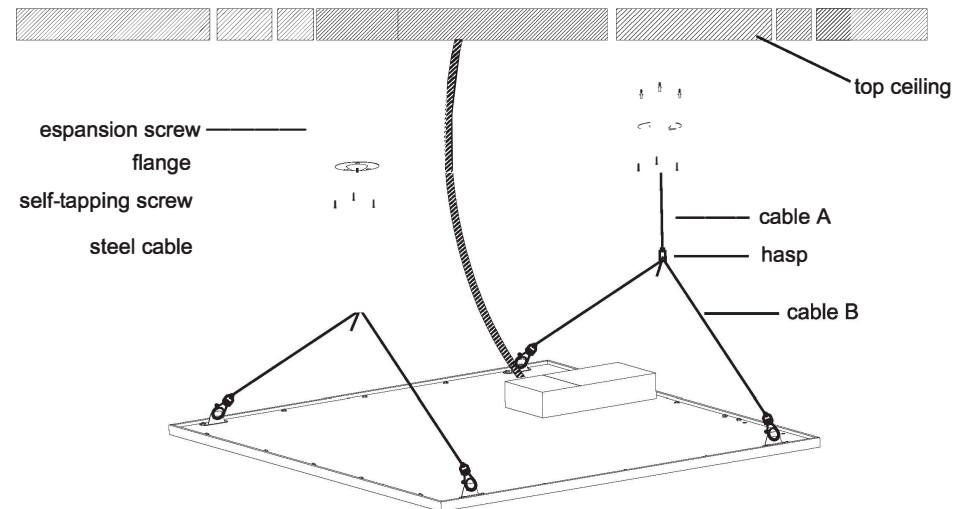



Figure 3



WARNING: RISK OF FIRE AND ELECTRICAL SHOCK. FIXTURE MUST BE INSTALLED BY A QUALIFIED ELECTRICIAN ONLY IN ACCORDANCE WITH NATIONAL, LOCAL BUILDING AND ELECTRICAL CODES. DISCONNECT POWER AT ELECTRICAL PANEL BEFORE SERVICING.



14052 INSTALLATION INSTRUCTIONS FOR: Architectural Edge-Lit LED Flat Panel Light

Surface Mounting Kit Installation:

Step 1:

Assemble the mounting frame using the provided screws and the connection plate (see Fig. 1).

Step 2:

Mount the frame onto the ceiling using screws. Ensure that the wire length is sufficient for the next step (see Fig. 2).

Step 3:

After the frame is securely mounted, remove one side of the mounting frame (see Fig. 3).

Step 4:

Connect the mains wires to the LED driver, then slide the LED panel unit into the frame (see Fig. 4).

Step 5:

Reattach the removed side of the frame to complete the installation (see Fig. 5).

Figure 1

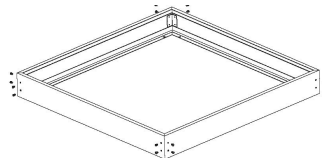


Figure 2

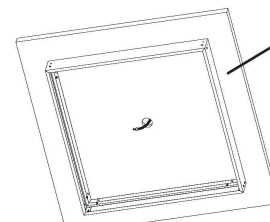


Figure 3

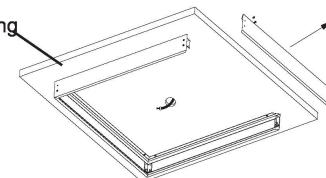


Figure 4

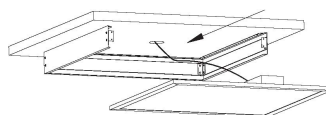
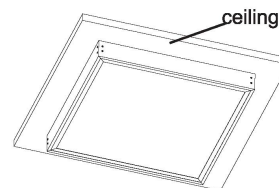


Figure 5



- Optional for Emergency Battery Back-up Mounting Bracket

